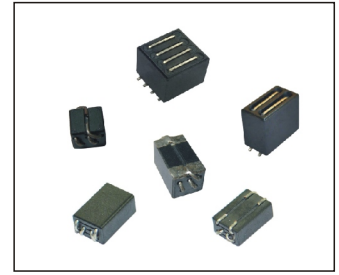
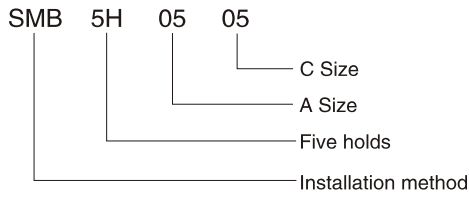
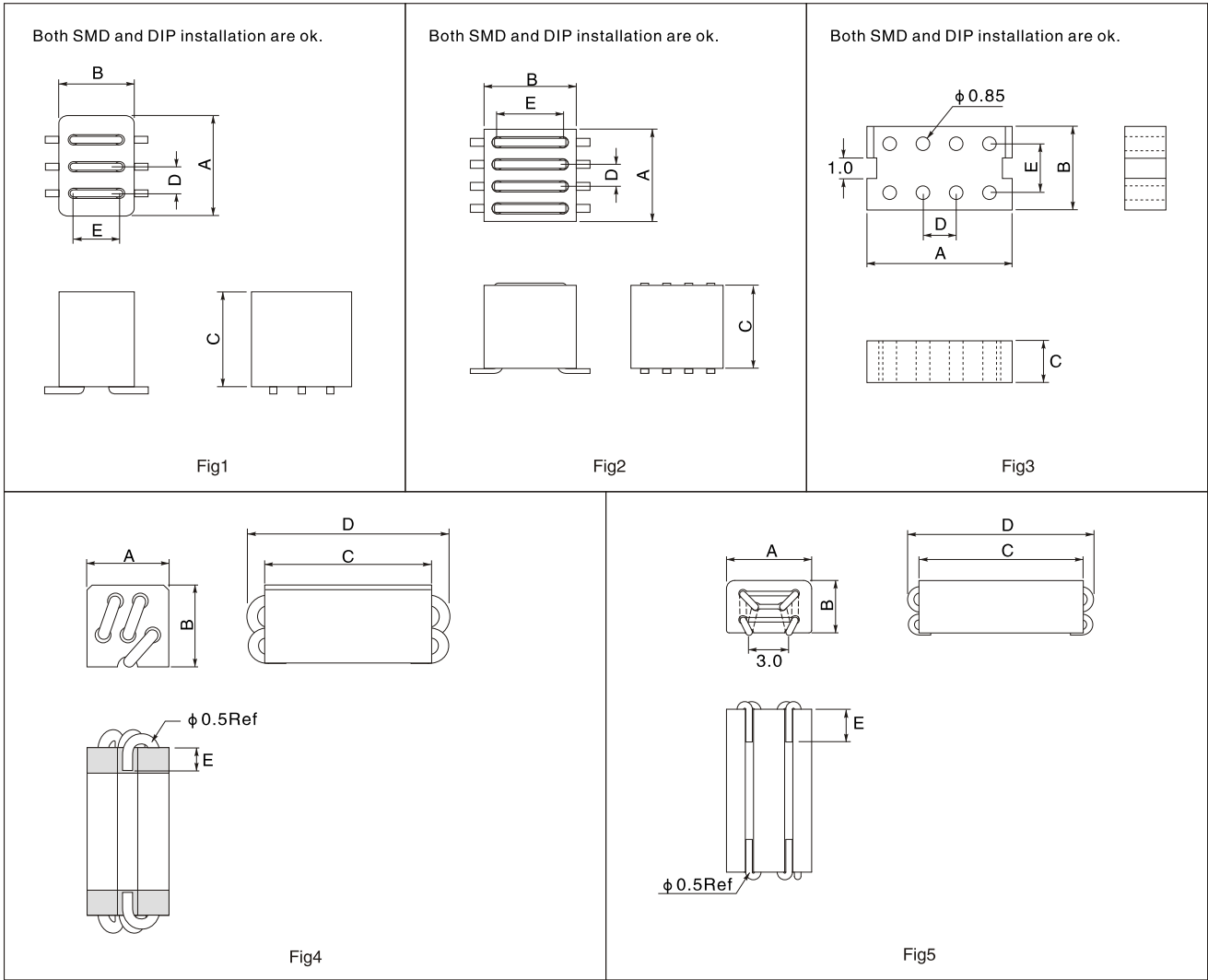


MULTILINE SUPPRESSOR BEADS(_ H)

Ordering code



CONFIGURATIONS(mm)



DIMENSION OF MAIN PRODUCTIONS & IMPEDANCE@25°C

Part No.	Fig.	A	B	C	D	E	IMPEDANCE	
							25MHz(Ω)	100MHz(Ω)
SMB3H0607	5	6.5±0.25	4.0±0.25	7.0±0.3	10.0±0.3	2.5±0.5	75	141
SMB3H0610	5	6.5±0.25	4.0±0.25	10.0±0.3	13.0±0.3	3.25±0.75	109	213
SMB(DIP)6H0710	1	7.6±0.25	5.0±0.2	10.0±0.25	2.54±0.1	2.54±0.1	216	253
SMB(DIP)8H1002	3	10.2±0.3	6.0±0.2	2.6±0.15	2.54±0.1	2.54±0.1	48	73
SMB(DIP)8H1110	2	11.2±0.3	11.2±0.3	10.2±0.25	2.54±0.1	7.62±0.1	239	337
SMB5H0508	4	5.0±0.25	5.0±0.25	8.5±0.3	11.0±0.3	2.0±0.5	435	580