

# COMMON MODE CHOKES STC06F SERIES

## FEATURES:

- Inductance range from 34.9uH to 1600uH
- Current range up to 5.7 Amps
- Noise attenuation up to 5.8 dB
- Meets UL94V-0 flammability standard
- Ferrite core material

## OPTIONS:

- Supplied in tape and reel packaging

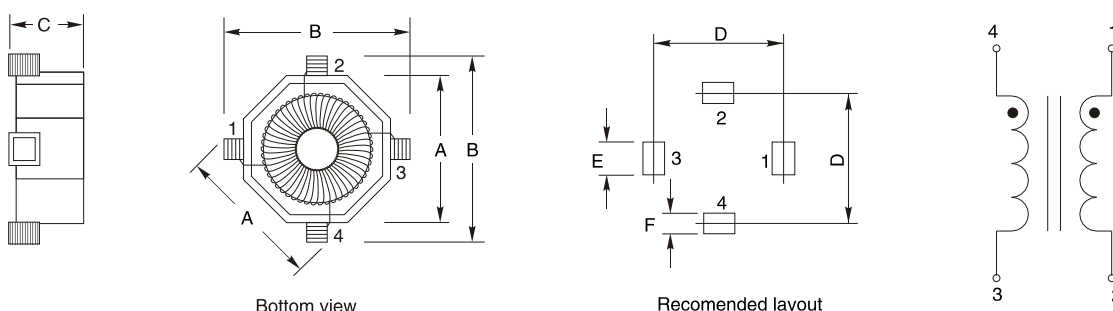
## COMMON APPLICATIONS:

- EMI filters
- DC-DC brick power supplies
- Discrete output supplies
- Discrete and point-of-use power supplies

## ELECTRICAL CHARACTERISTICS:

Part Number	L(0A) (uH) ± 30% 100KHz,0.1V	I <sub>rms</sub> (A)Max	DCR (mΩ)Typ (1-2)	DCR (mΩ)Typ (4-3)	L <sub>k</sub> (uH) Typ 100KHz,0.1V	Interwinding Capacitance (pF)
STC06F-340Y	34.9	5.70	4.63	4.63	0.31	2.80
STC06F-500Y	50.0	5.10	5.12	5.12	0.46	3.05
STC06F-750Y	75.0	4.75	6.52	6.52	0.64	3.30
STC06F-101Y	105.0	3.95	7.92	7.92	0.85	3.50
STC06F-171Y	175.0	3.10	15.9	15.9	1.30	3.70
STC06F-261Y	260.0	2.85	19.5	19.5	1.90	3.90
STC06F-311Y	310.0	2.45	25.3	25.3	2.20	4.15
STC06F-421Y	420.0	2.00	36.8	36.8	3.00	4.40
STC06F-481Y	480.0	1.70	50.2	50.2	3.30	4.65
STC06F-621Y	620.0	1.45	62.1	62.1	4.20	4.85
STC06F-781Y	780.0	1.20	92.3	92.3	5.10	5.10
STC06F-951Y	950.0	1.05	132.1	132.1	6.10	5.35
STC06F-122Y	1250.0	0.88	192.2	192.2	7.80	5.55
STC06F-162Y	1600.0	0.75	286.5	286.5	9.60	5.80

## PHYSICAL CHARACTERISTICS



### NOTES:

Inductance measure at 100KHz 0.1VRms.  
 Insulation Resistance: 100Vdc 1KMΩ min.  
 Dielectric Strength: 500 Vrms between windings  
 Turns Ratio: 1:1  
 RDC:QuadTech 1880 Milliohmeter  
 Soldering temperature:260°C for 4 ± 1 seconds  
 Operating temperature:-40°C to +125°C  
 Storage Temperature: -40°C to +125°C

A	B	C	D	E	F
11.4	14.3Max	6.0Max	12.44	3.5	3.0