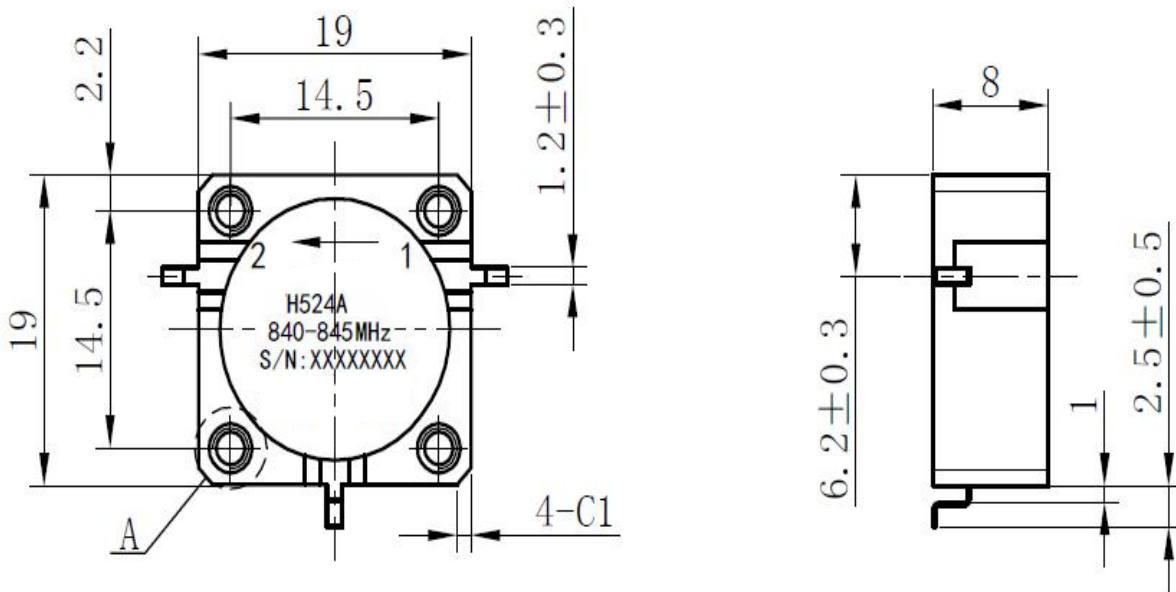


1.Features

- UMTS, LTE Band
- PCB Soldering Re-flow
- Wide Operation Temperature Range -40~ 85°C
- Compact Package Design for PCB Applications

2.Dimensions Unit:mm



3.Specifications

Part No.	Frequency (GHz)		Center Frequency	Bandwidth	Isolation	INS LOSS	VSWR	Power	IMD (@2X43dBm)
	F1	F2	(GHz)	(GHz)	(dB) MIN	(dB) MAX	(dB) MAX	(W)	(-dBc) MAX
H524A [840-845]MHz	0.840	0.845	0.8425	0.005	20	0.35	1.2	100	
H524A [902-928]MHz	0.902	0.928	0.9150	0.026	22	0.3	1.17	100	
H524A [930-960]MHz	0.930	0.960	0.9450	0.030	22	0.3	1.17	100	
H524A [1805-2170]MHz	1.805	2.170	1.8875	0.165	22	0.3	1.17	150	-65
H524A [1900-3000]MHz	1.900	3.000	2.450	1.100	20	0.35	1.2	100	-60