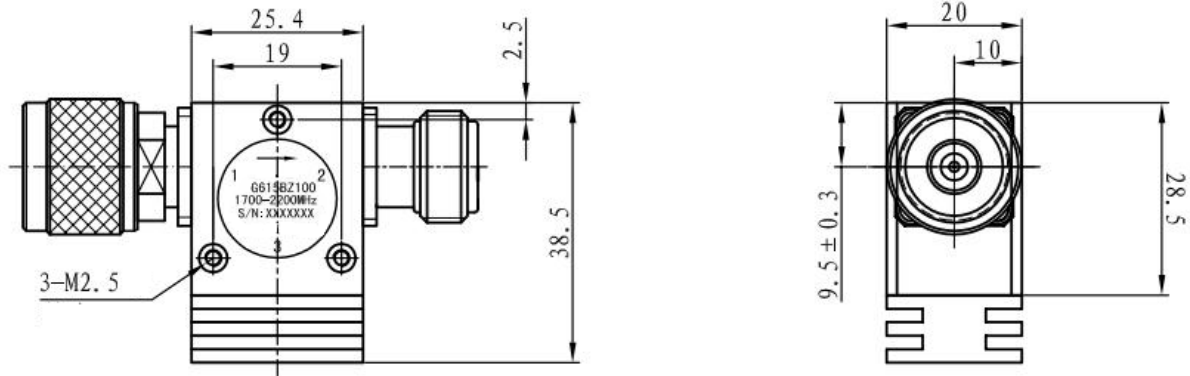


1.Features

UMTS, LTE Band

Wide Operation Temperature Range -20 ~ +70°C

2.Dimensions Unit:mm



3.Specifications

Part No.	Frequency (GHz)		Center Frequency	Bandwidth	Isolation	INS LOSS	VSWR	Power	IMD (@2X43dBm)
	F1	F2	(GHz)	(GHz)	(dB) MIN	(dB) MAX	MAX	(W)	(-dBc) MAX
G615BZ100 (1700-2200MHz)	1.700	2.200	1.950	0.500	18	0.45	1.35	200	
G615BZ100 (2300-2700MHz)	2.300	2.700	2.500	0.400	20	0.35	1.2	200	
G615BZ100 (3400-3800MHz)	3.400	3.800	3.600	0.400	20	0.4	1.2	200	